

Rotary Valve Filter Type ASF



IMPROVE YOUR DUST EXTRACTION BY INSTALLING AAGAARD EQUIPMENT

- *Meets with local environmental laws*
- *Easy to maintain*
- *Modular construction*
- *Various sizes available*
- *Reliable*
- *Fire protection available*
- *Manual or automatic cleaning available*
- *100% return air to factory saving on heating costs*
- *Fully automatic operation*

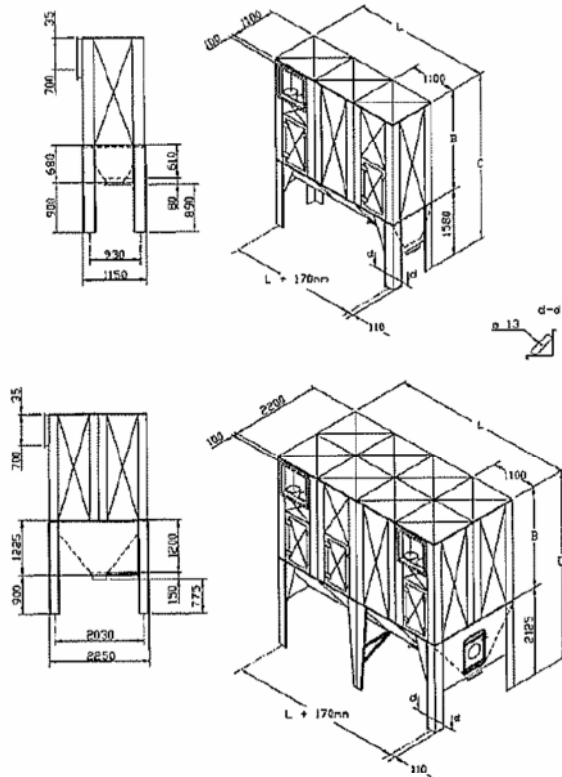
The rotary valve filter is ideally suited for medium-sized quantities of chips and air. The filter can also be fitted with a screw conveyor which is adapted to the special composition of chips.

Furthermore, the rotary valve filter can be designed to handle quantities of air up to approx. 25,000 m³/h. In case of larger quantities of air we would recommend a chain filter.



TECHNICAL DATA

Rotary Valve Filter type ASF



Type ASF	Area		L	A	B	C	Filter bags			Weight kg
	m ²	Sqf					Pcs.	ø	Length	
L	20	215.1	nxA	1100	1965	3550	16	205	1930	140
HL	25	268.9	nxA	1100	2460	4050	16	205	2430	160
XL	32	344.2	nxA	1100	3200	4780	16	205	3180	210
DL	40	430.3	nxA	1100	1965	4090	32	205	1930	270
DHL	50	537.9	nxA	1100	2460	4585	32	205	2430	300
DXL	65	699.2	nxA	1100	3200	5325	32	205	3180	330
Filter bag material:			Polypropylene 180 g/m ² - DIN 53854 - BiA-tested ZH1/487, cat. U,S,G							
Filter load:			80 - 120 m ³ /m ² /hr depending on type of dust							
Dust emission:			< 0.2 mg/Nm ³							
Control of hatch:			1 microswitch - 1 x 220V							